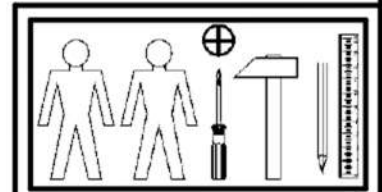
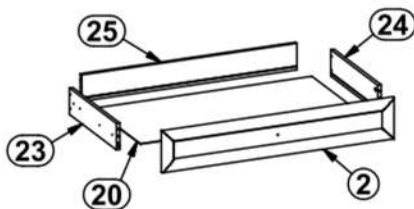
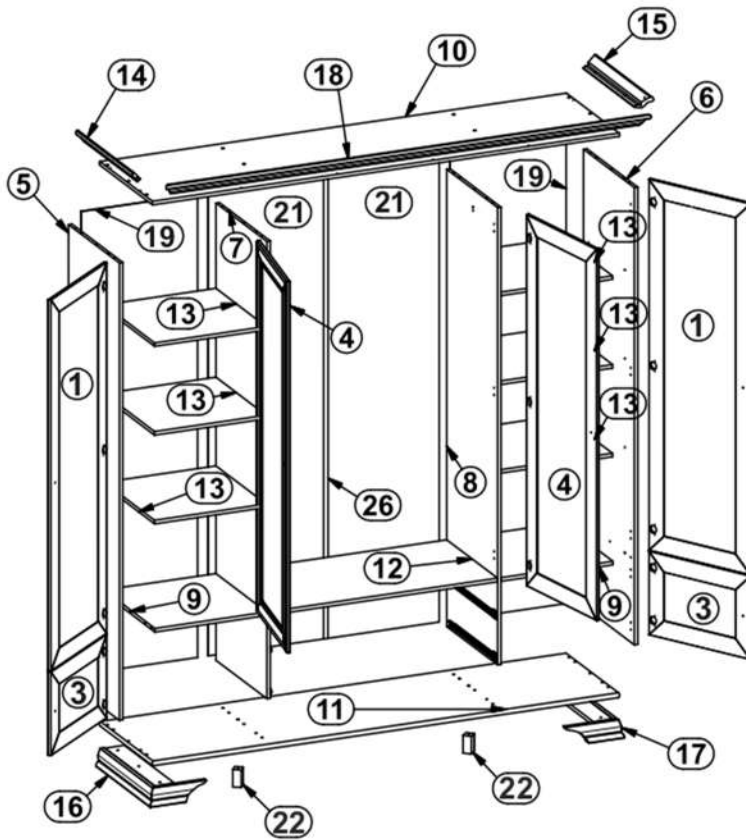


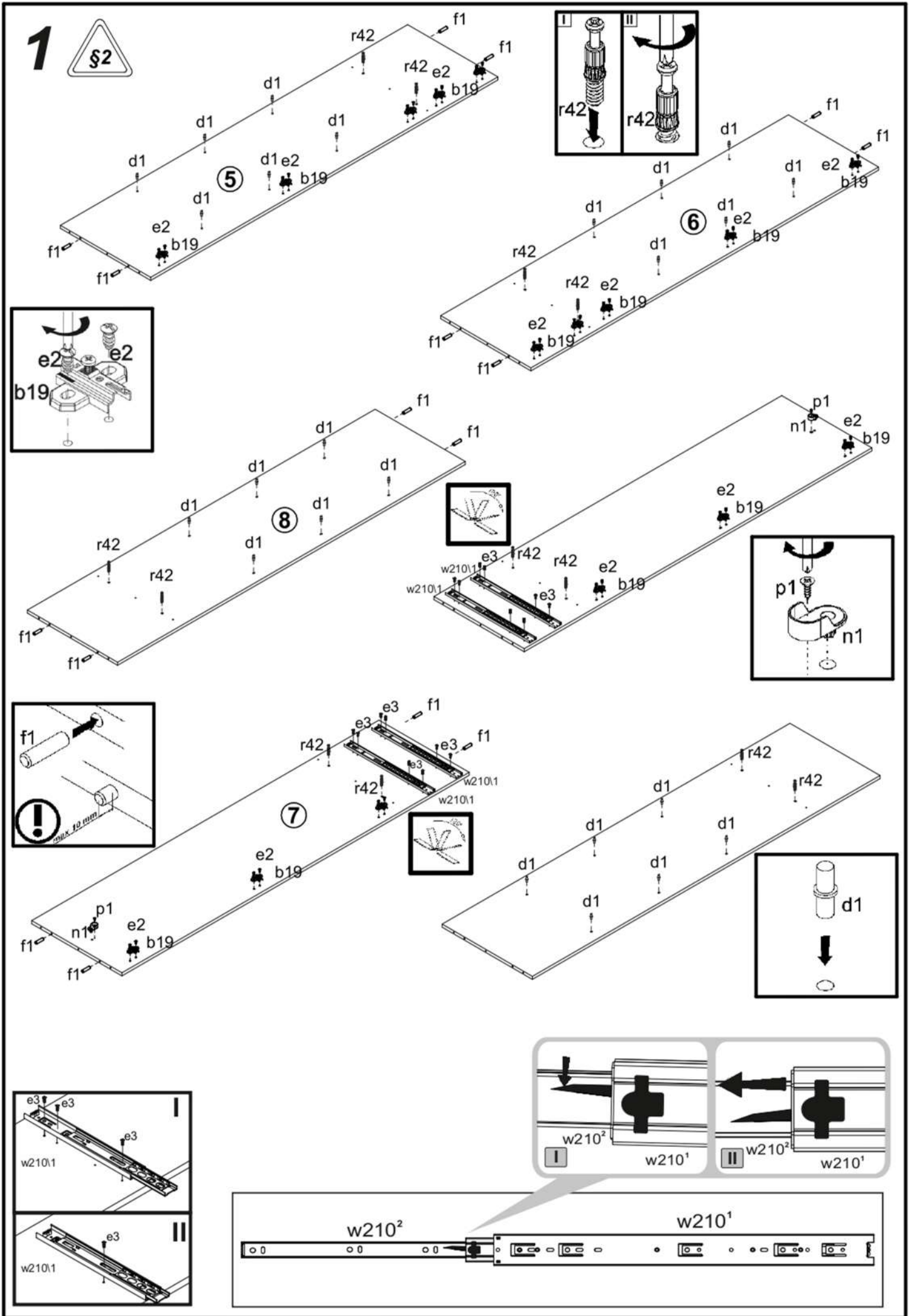
# KENTAK

# SZF6D2S

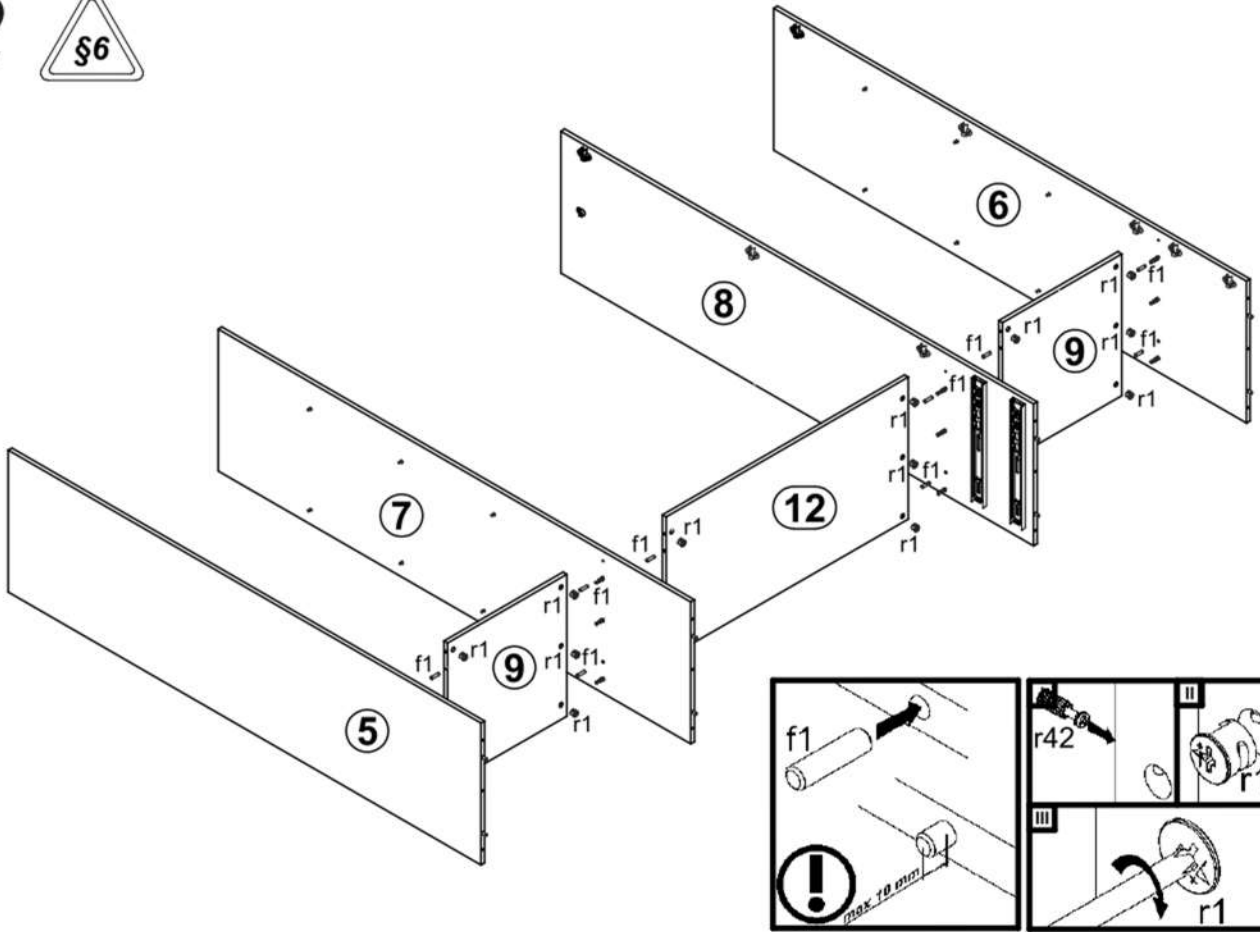
A	B	C	D	A	B	C	D		
1	S320-0033	1686	540	8/9	15	S320-505	603	80	4/9
2	S320-0036N	1084	188	6/9	16	S320-534	578	270	5/9
3	S320-0035	380	540	7/9	17	S320-535	578	270	5/9
4	S320-0034/A	1686	540	9/9	18	S320-579	2270	80	4/9
5	S320-154	2077	540	1/9	19	S320-935	2103	543	2/9
6	S320-157	2077	540	1/9	20	S320-936N	1021	498	2/9
7	S320-155N	2077	540	1/9	21	S320-1934	2103	540	2/9
8	S320-156N	2077	540	1/9	22	S320-575	80	38	3/9
9	S320-330	524	540	3/9	23	S320-565N	500	120	3/9
10	S320-243	2188	562	2/9	24	S320-566N	500	120	3/9
11	S320-244	2188	562	2/9	25	S320-5552N	1006	120	3/9
12	S320-329	1064	540	3/9	26	Lh-2071	2071	14	2/9
13	S320-331	523	536	3/9	27	dr-1058	1058	30	3/9
14	S320-503	603	80	4/9					



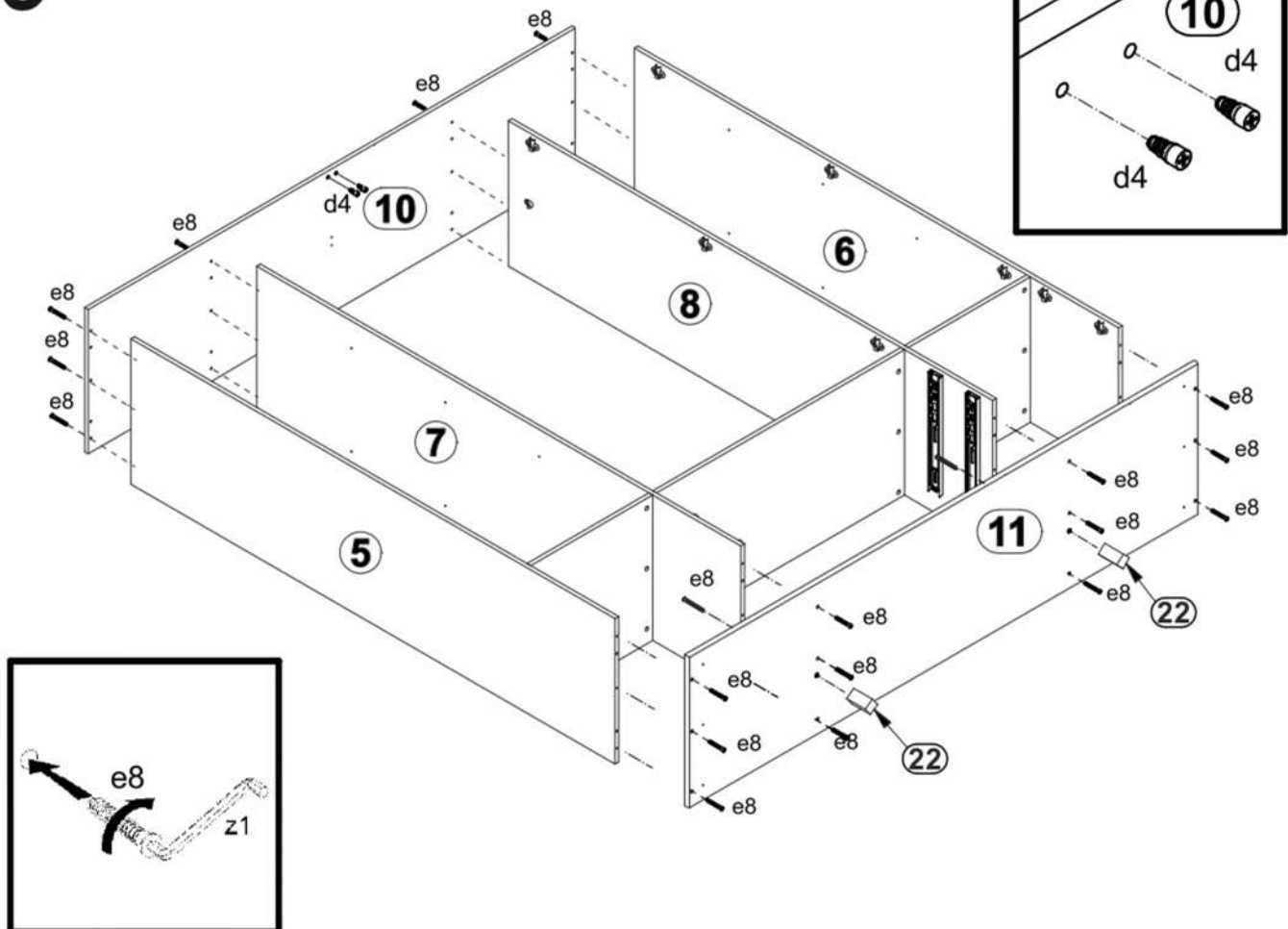
16x a44	16x b19	8x c35/1	8x c35/2	24x d1	2x d4	1x p38	16x p140	32x e2
6x e26	14x e3	26x e8	32x f1	8x f25	2x j59	6x j6	150x l1	2x n1
2x n40	2x p1	8x p8	4x p46	32x p51	26x r1	26x r42	8x s2	1x qb18
4x w210/1	4x w210/2	4x t17	8x p25	1x z1	1x n26/1	1x p17	1x f35	



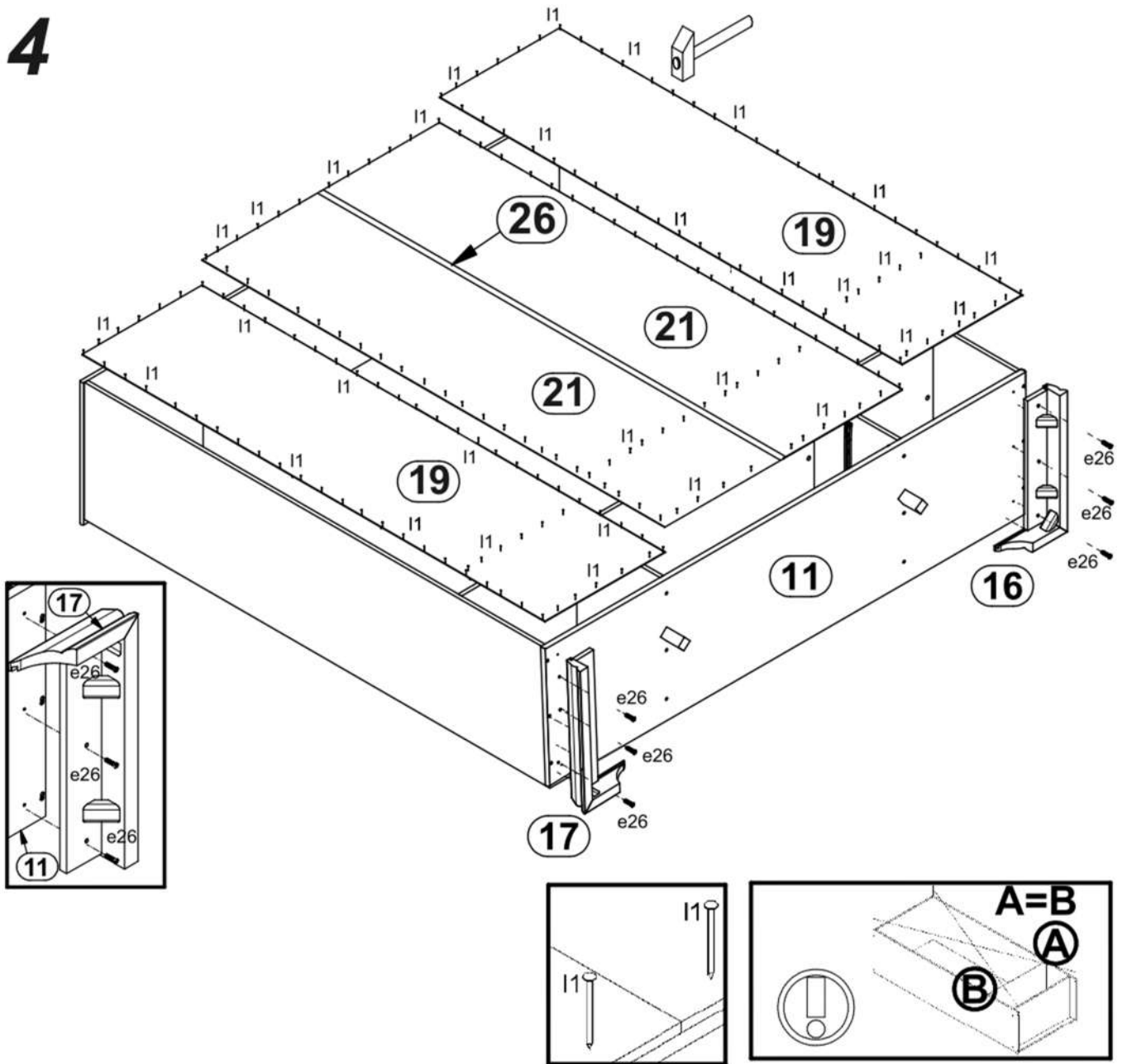
# 2



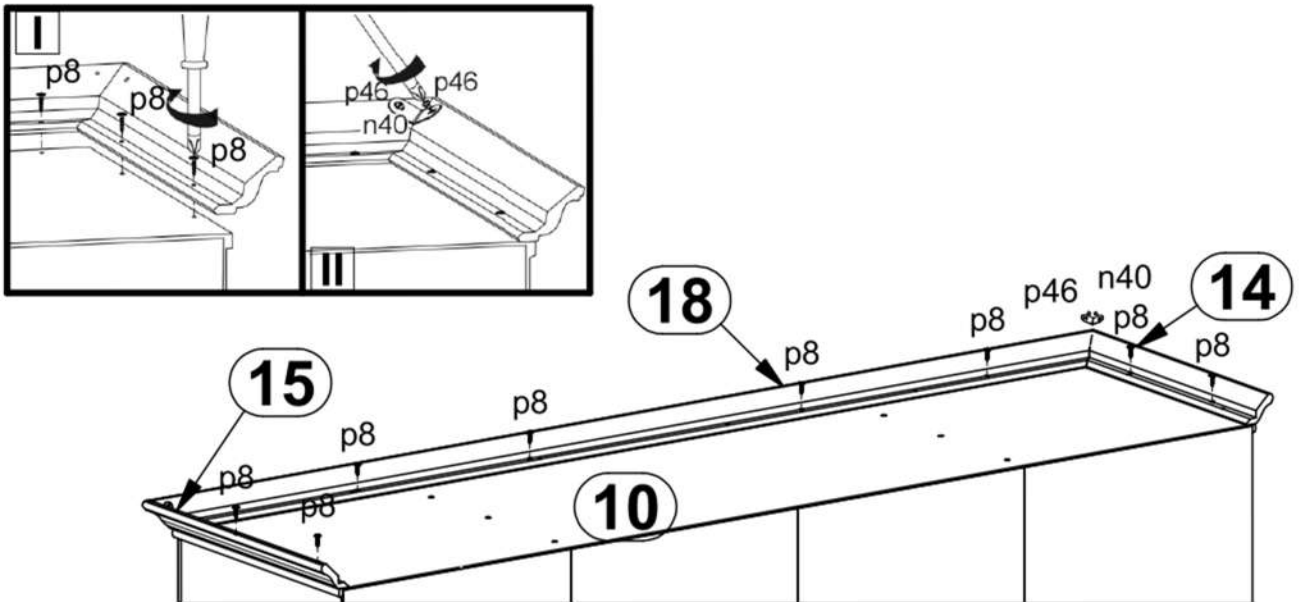
# 3



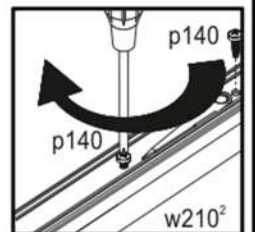
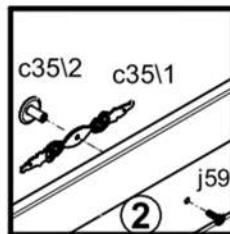
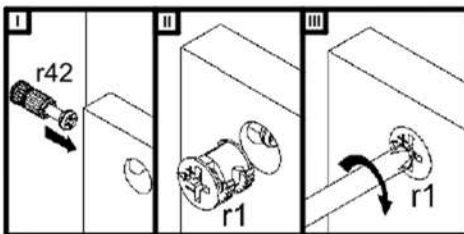
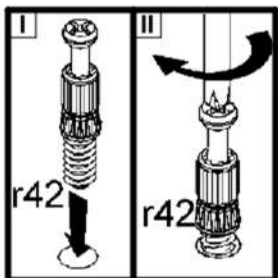
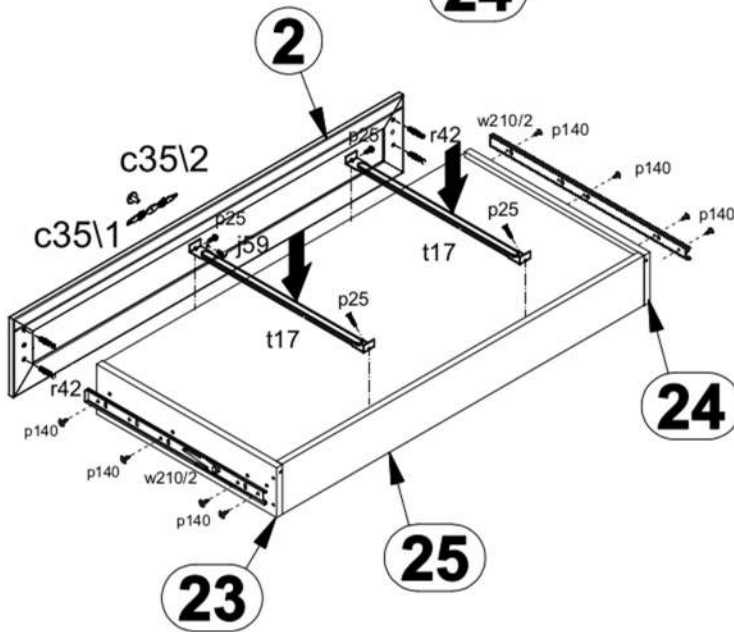
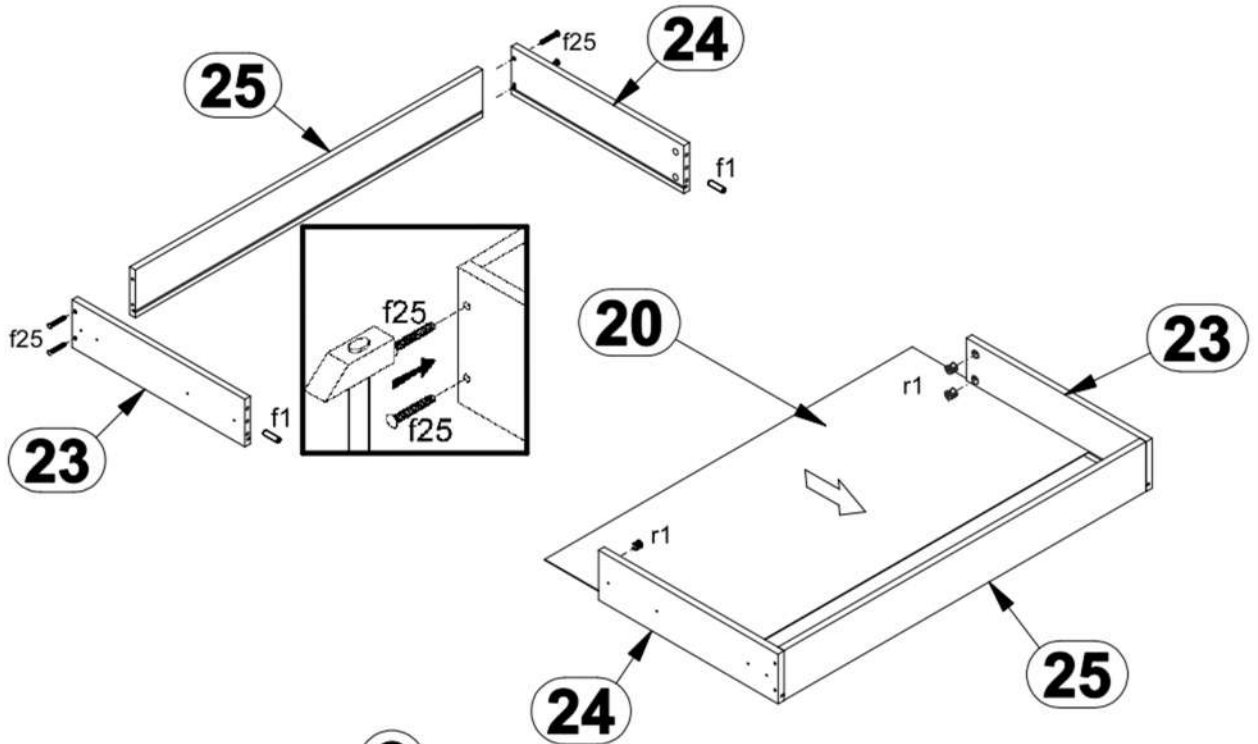
# 4



# 5



# 6



# 7

